

ERA Plus

180x80xH59

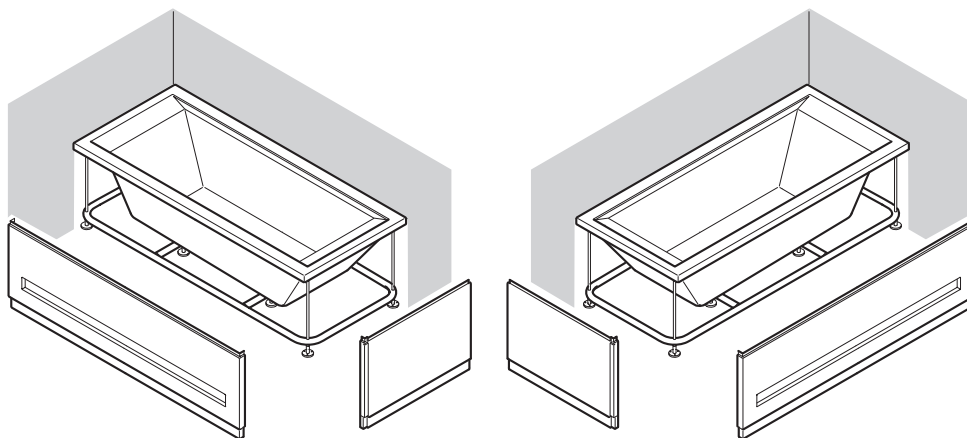
technical data sheet



The bath must be installed by a qualified electrician and plumber.

Before connecting the bath, the installer must see that the electrical system is protected by a circuit breaker (0.03) and that the earthing system complies with the laws in force in the country of installation.

The whirlpool bath must be connected to the electrical system permanently (with an H05 cable - 3x2.5 mm² three-pole with a 2.5 mm² cross section) by means of a double-pole switch (minimum 3 mm opening between contacts) and suitably rated (KW) for the appliance to be connected, located away from areas 0,1,2,3 and from areas where jets of water are possible.



tub LEFT

tub RIGHT

Wooden panels stick out 1 cm from tub edge.
Dressable panels stick out 3 cm from tub edge plus the tiles thickness.

SYSTEMS	Electrical specifications				Jets		Water cont.		Size			Packing dimensions			Weight	
	Volt	A	Kw	Hz	Whirl	Air	use	max	length	width	height	length	width	height	net	gross
Whirl. manuale	230	4,5	0,95	50	8	—	178	216	180	80	59	187	87	78	50	68
Whirl. digitale	230	4,5	0,95	50	8	—	178	216	180	80	59	187	87	78	50	68
Airpool	230	3	0,7	50	—	16	178	216	180	80	59	187	87	78	42	60
Whirl. airpool	230	7,5	1,7	50	8	12	178	216	180	80	59	187	87	78	57	75
Profes. whirl. air.	230	7,5/10,6*	1,7/2,45*	50	8	24	178	216	180	80	59	187	87	78	63	81
Microsilk	230	6,2	1,25	50	—	—	178	216	180	80	59	187	87	78	50	68
Vasca con telaio	—	—	—	—	—	—	178	216	180	80	59	187	87	78	35	53

* with heater active
The data are to be considered without panels and accessories

The overall dimensions are given in centimetres.
Actual dimensions can vary by ± 1 cm.

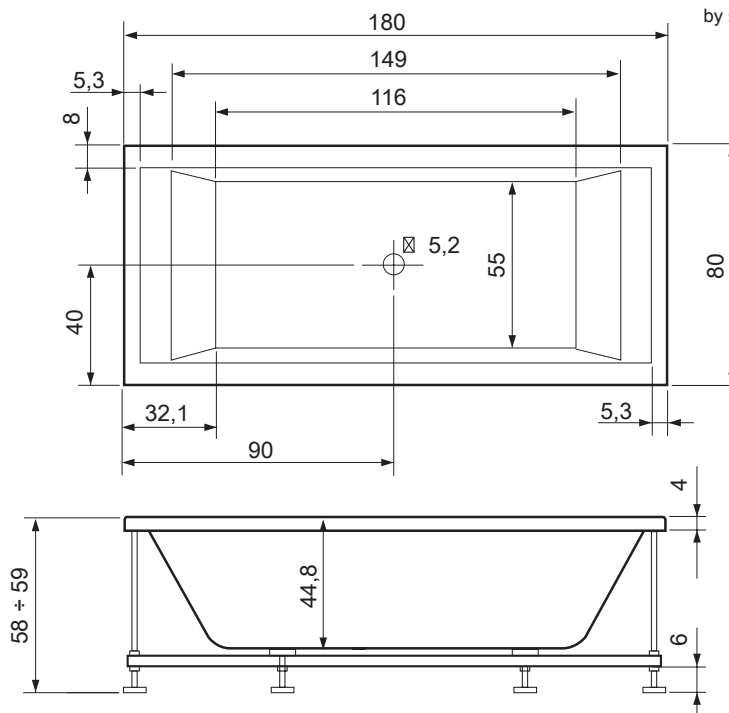
The bath must also be connected to the building's equipotential earthing system by means of a terminal on the frame.

If the bath is to be recessed in walls, the guarantee will only be valid if the walls are fitted with inspection and aeration grids of a suitable size.
It is also important that the bath can be taken out at any time without having to do anything to the walls.

WARNING: if all or even part of the above described conditions are not complied with the safety of the whirlpool bath cannot be guaranteed and, as such, not only is the guarantee invalidated but also the manufacturer can in no way be held liable for any direct or indirect damages caused by the bath.


In those cases where such conditions are not complied with, the guarantee will only cover the substitution of parts deemed defective and not the labour needed if the bath has to be removed.


Provide shut-off cocks out of the dimensions of the product for hot and cold water closing.



LEGEND

- A - 1/2" cold water fitting.
- B - 1/2" hot water fitting.

 **Operating pressure:**
 - MIN 150 kPa (1,5 bar)
 - MAX 300 kPa (3,0 bar)

 **Hot water temperature:**
 - MAX 60°C (140°F)

- A1 - Fitting for wall tap.
- C - Output for the power supply cable type H05 3x2.5mm² (length min. 2 [m])
- D - Output for the equipotential cable
- E - Scarico pavimento Ø 40.

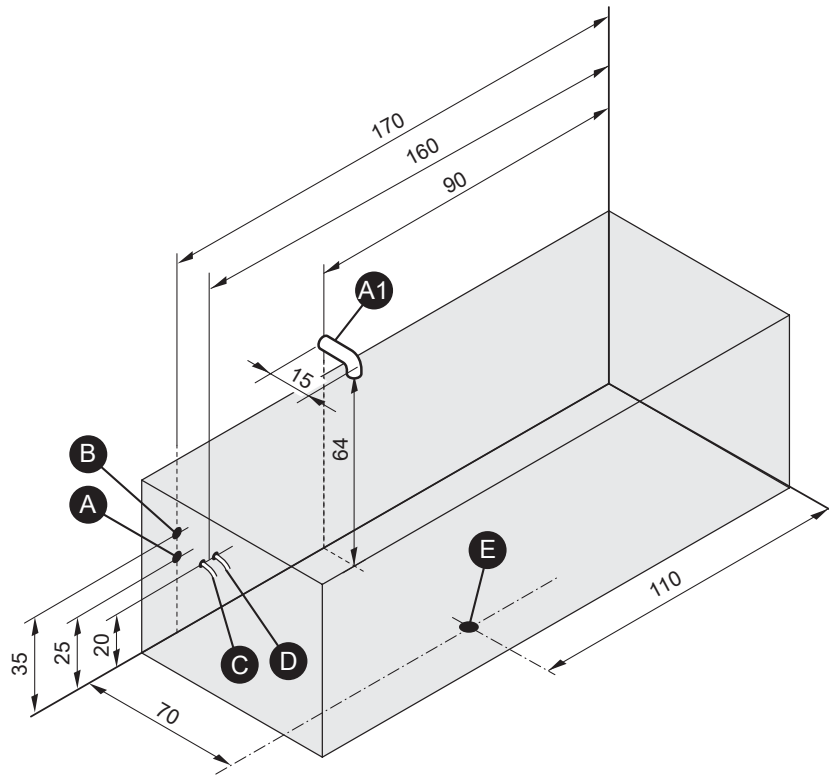
NOTE:
 For baths with frame do not prepare the power cable.

Prepare the equipotential cable in all cases.

For the tap as per our catalogue, use fittings A and B only.

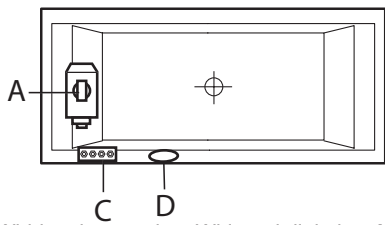
If wall tap are going to be used instead (A1), take into consideration the measurements given in the drawing as the centre of the tap. The tap for filling the bath with water must be at least 5 cm higher than the edge of the bath.

Right bath version
 Connections are reversed for the left version

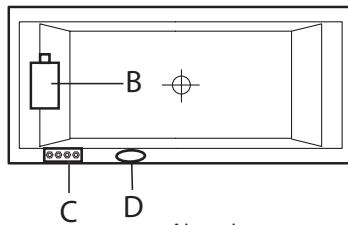


If the water pressure is higher than indicated, install pressure reducers.

POSITIONING THE TURNING ON CONTROLS AND TAPS



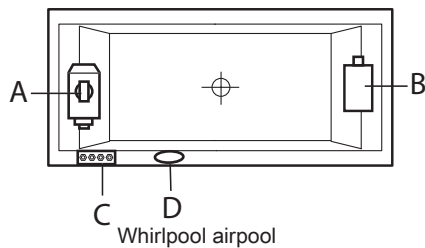
Whirlpool manuale o Whirlpool digitale o Microsilk



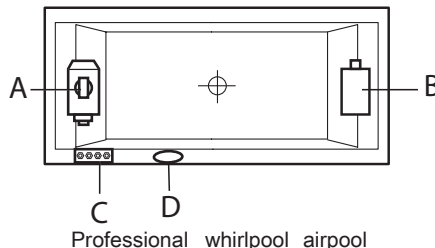
Airpool

- A = Pump
- B = Blower
- C = Elettrical Control
- D = Digital Control

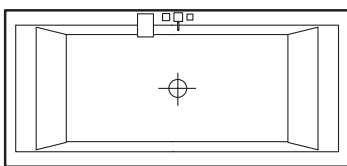
Position of points A-B-C are different in the tubs with accessories (radio - chromotherapy - heater).



Whirlpool airpool



Professional whirlpool airpool



Tap

• The position of the disinfectant tap is seen to in the factory as the bath is being made.